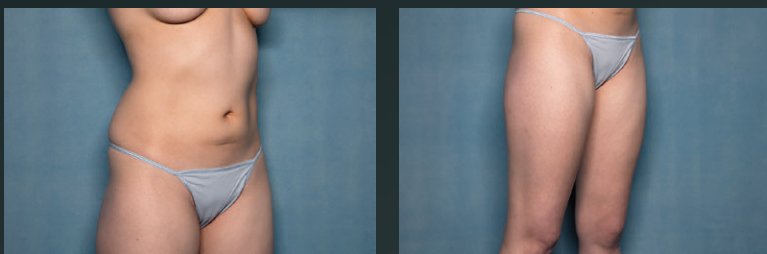


# IntelliStudio<sup>®</sup>

Fast, convenient,  
consistent studio-quality  
photography



*Close-ups with non-polarized (left) and cross-polarized lighting*



*Consistent and repeatable lighting across the entire body*



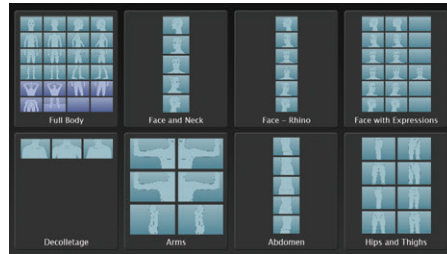
- 50MP camera
- Programmable zoom
- Multiple lighting modes
  - Studio
  - Cross-polarized
  - LED for video capture
- Motorized lift

# IntelliStudio®

## Studio-quality images

IntelliStudio's 50MP camera and xenon lighting with smart automation ensure studio-quality images every time. Non-polarized and cross-polarized lighting is calibrated and balanced for skin imaging, revealing skin features while maintaining aesthetics and reducing shadows.

**Fully automated** IntelliStudio simplifies image capture with an automated software process that includes a selection of standard templates.



Templates control the camera settings and guide patient poses, ensuring consistent clinical quality images.

**Easy to use** With IntelliStudio, there are no special photography skills needed. The easy-to-use interface guides users through the entire photo process.

**Motorized programmable lift** with automated sequencing ensures repeatable camera positions and lighting for consistent, reproducible images.

## Auto facial recognition

Facial recognition algorithms ensure that the patient's face is automatically recognized, setting the camera height for quick and repeatable patient positioning.



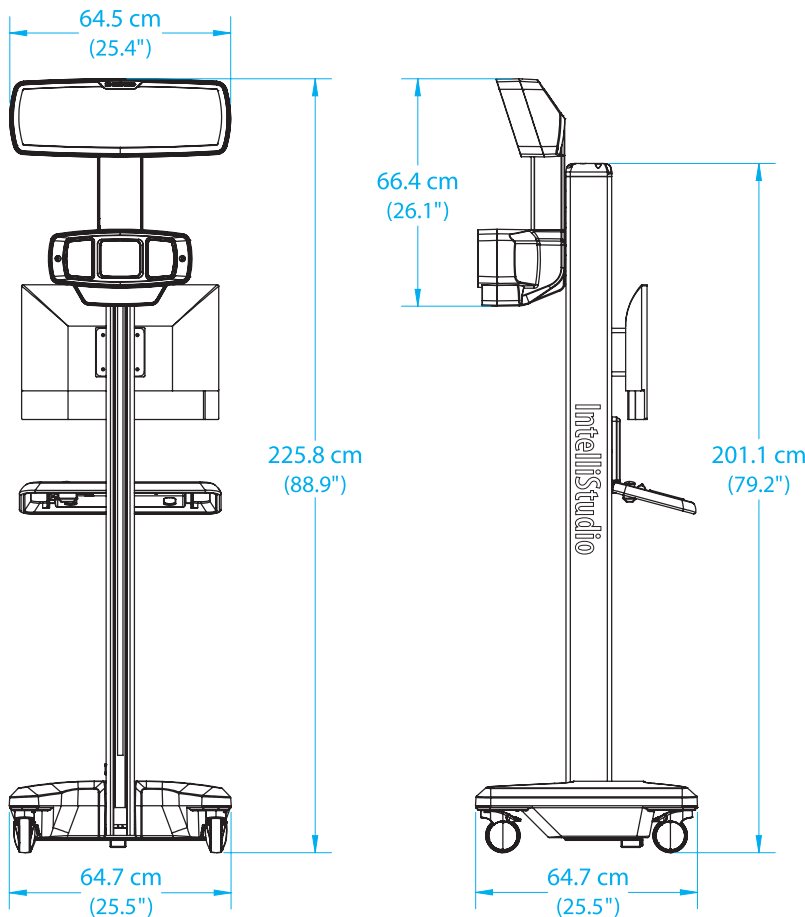
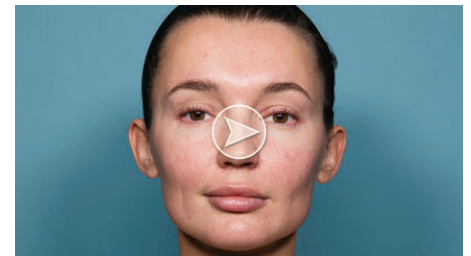
## MatchPose® image overlay

ensures consistently registered before-and-after images.

**Programmable zoom** allows you to set and save specific program settings, enabling consistent zoom levels for accurate, repeatable photos.

## Video with LED lighting

IntelliStudio provides video capabilities, including record, playback and zoom.



IMAGING EXCELLENCE FROM  
**CANFIELD**

[www.canfieldsci.com](http://www.canfieldsci.com) / [info@canfieldsci.com](mailto:info@canfieldsci.com) / phone +1.973.434.1201 / (USA) 800.815.4330

3D SOLUTIONS • FACIAL IMAGING & ANALYSIS • IMAGING SOFTWARE • PHOTOGRAPHY • RESEARCH SYSTEMS & SERVICES • TRAINING

IntelliStudio and MatchPose are registered trademarks of Canfield Scientific, Inc.

1905-04